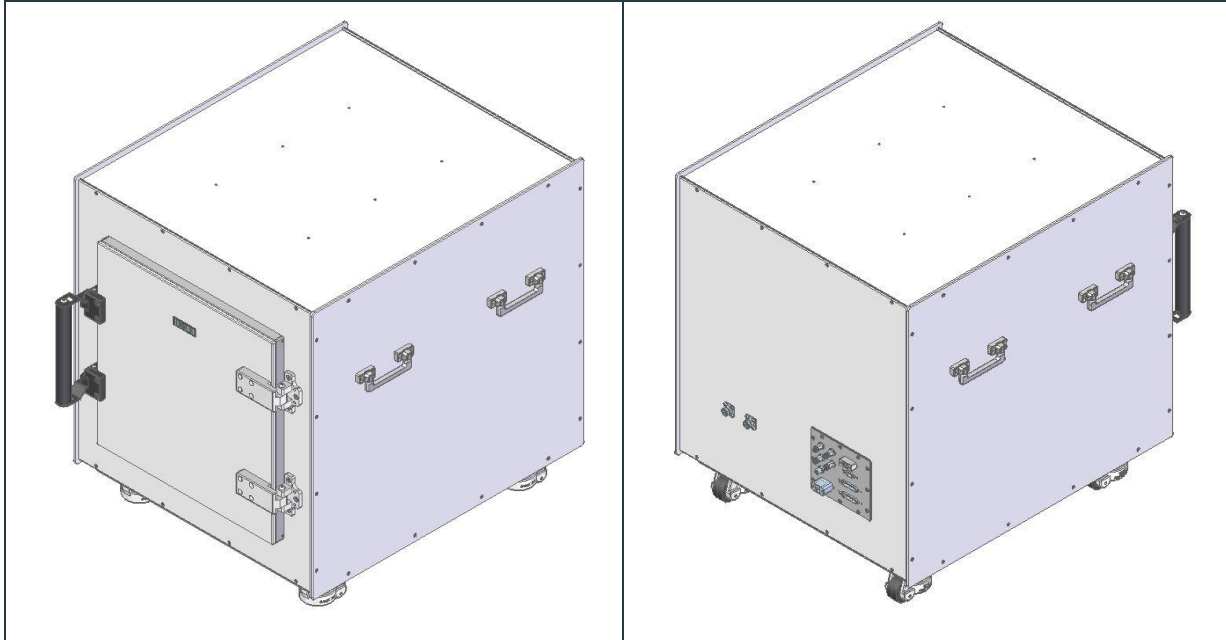


TC-5810A Shield Box



Features

- Reliable High RF Shielding up to 6 GHz
- High Performance RF+Audio Multi-Absorber
- Specifically designed for various types of Large Device
- EMI filters on all Data ports
- Easy Opening/Closing of Door
- Customizable Data connections

Specifications

Mechanical Specification

RF Connectors without module two(2) N (f) outside and SMA (f) inside

Dimension

Inside 445(W) x 547(D) x 445(H) mm

Outside 690(W) x 856(D) x 768(H) mm

Door 439(W) x 439(H) mm

Weight 90 kg

*Packing

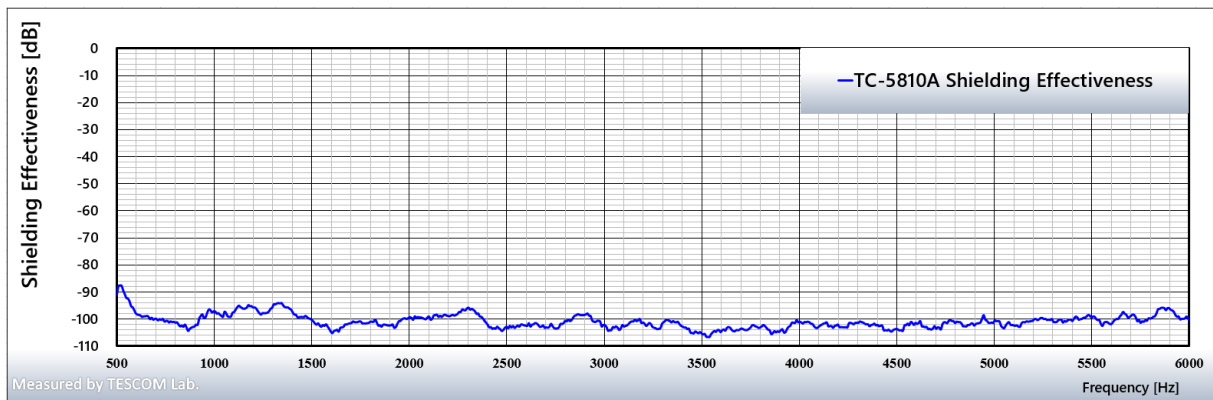
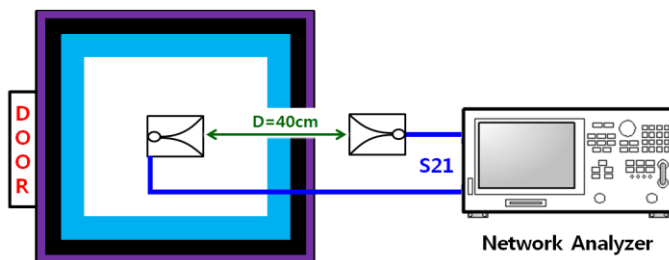
Size 896 (W) x 1016(D) x 876(H) mm

Weight approx. 105 kg

*The size or weight of a package may vary on how to pack a package.

Typical RF Shielding

The shield effectiveness below is measured when the blank panel is mounted; other I/O interface panel results a different shielding effectiveness of the shield box.



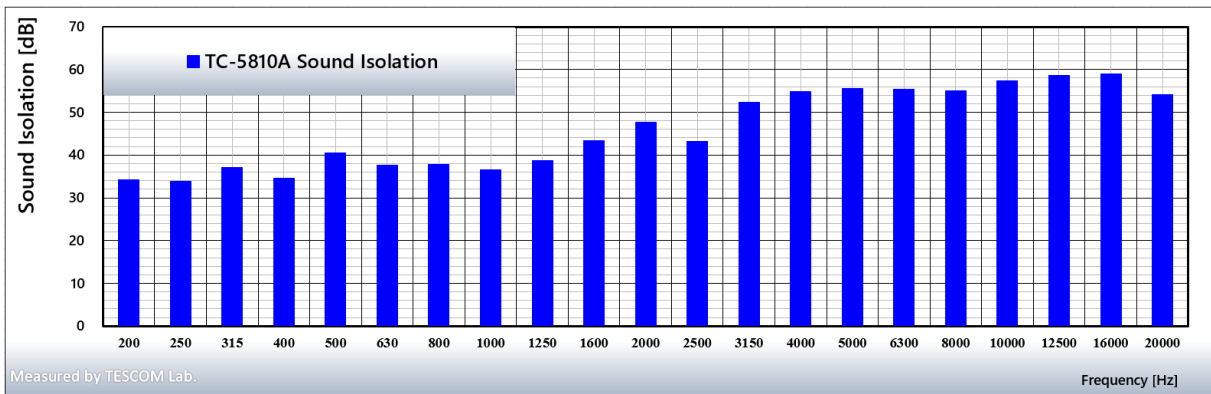
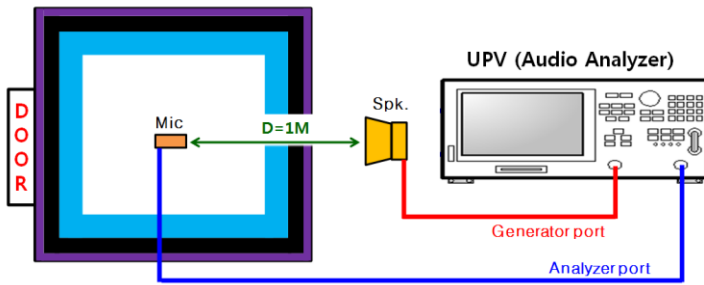
100 to 2000 MHz > 70 dB

2000 to 3000 MHz > 70 dB

3000 to 6000 MHz > 70 dB

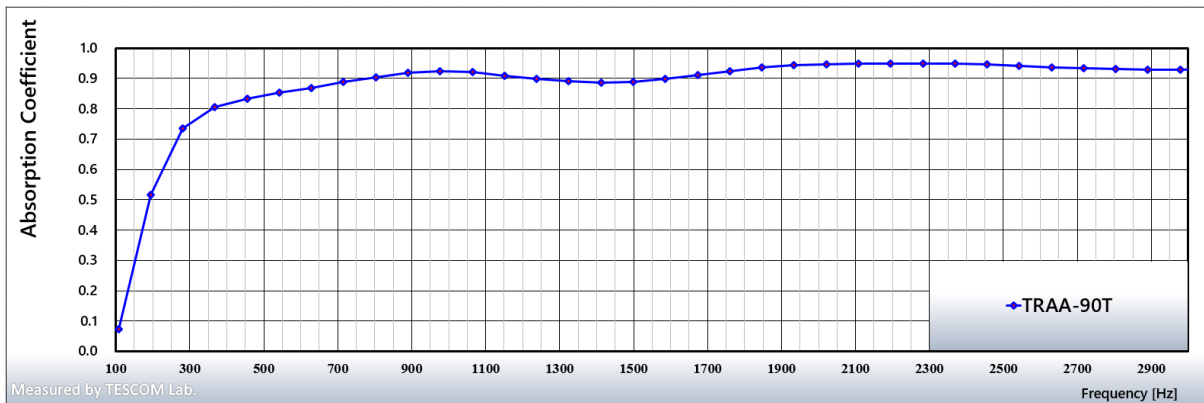
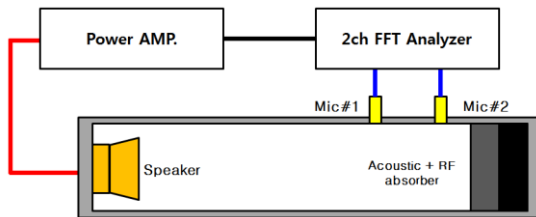
Typical Sound Isolation

The sound isolation below is measured when the blank panel is mounted;

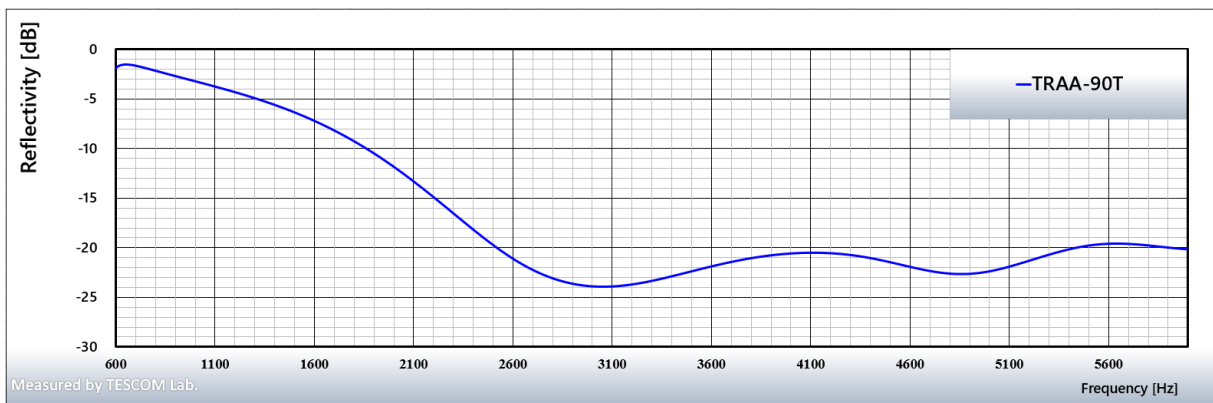
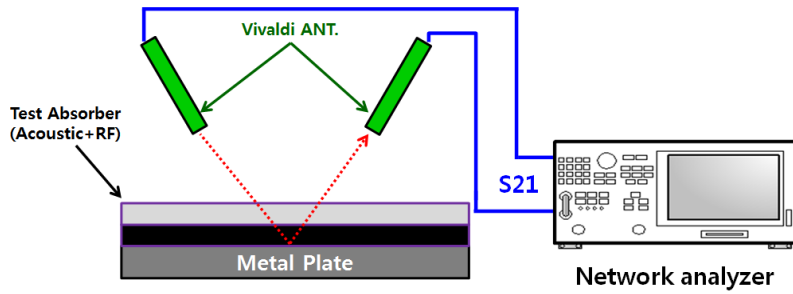


Absorption Performance

- Audio Absorber Performance (ISO 10534-2 : Impedance Tube Method)

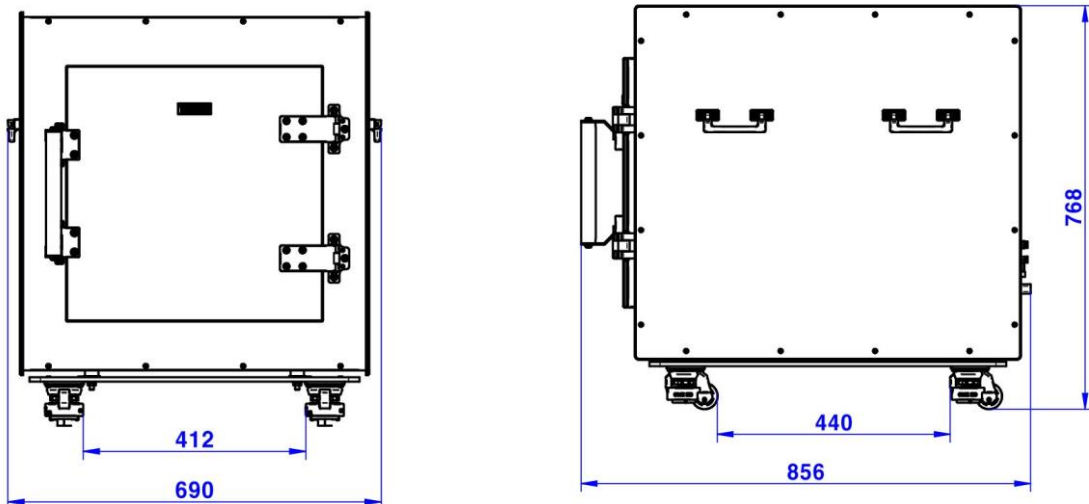


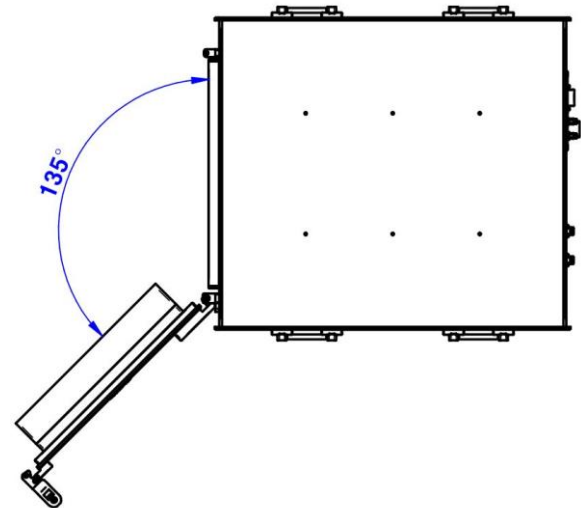
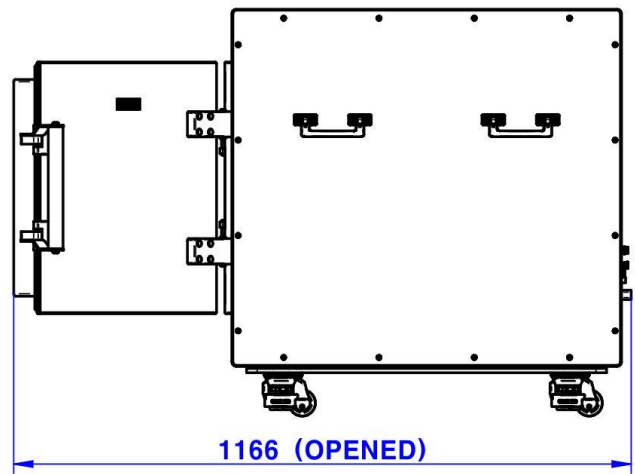
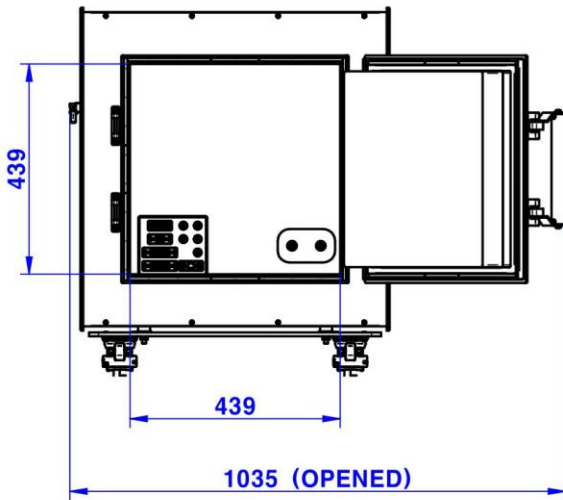
- RF Absorber Performance (NRL Arch Method)



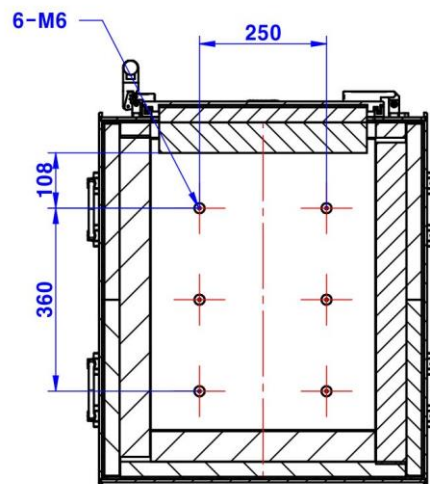
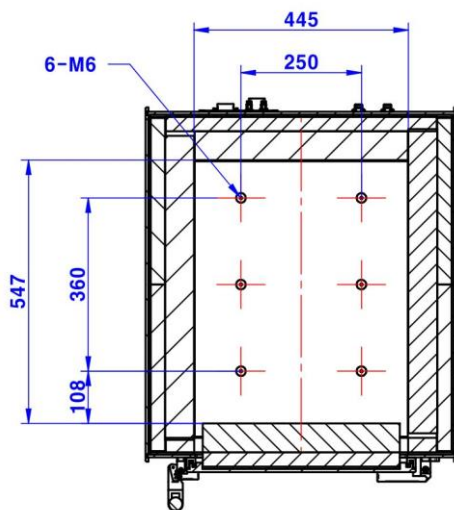
Dimensions

- TC-5810A Outside size : 690(W) x 856(D) x 768(H) mm



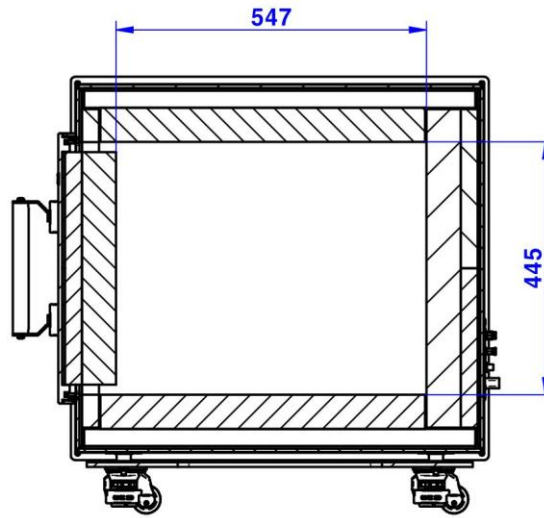


- TC-5810A Inside size : 445(W) x 547(D) x 445(H) mm



Bottom Inner View

Top Inner View



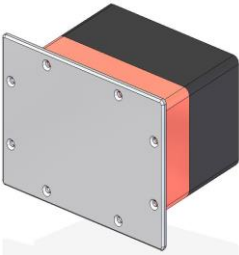
Side Inner View

Ordering Information

Order Number	Description
	Shield Box (including accessories below)
TC-5810A	Test Report SS402, N(m) to N(m) cable, 1 m, 1 pcs RG58, BNC(m) to BNC(m) cable 1 m, 1 pcs(for customer delivery)

*Depending on the voltage standard of each country, ventilation fans and their cables can be changed.



I/O Interface Panel

	Order Number	Configuration
	M5810A01A	<ul style="list-style-type: none"> Blank module(Acoustic+RF Absorber+Rubber Sheet)

Custom I/O Interface Panel

- Customized I/O Interface Panel is available by selecting below I/O interfaces and combine.
Please contact Tescom sales team or your local distributor.

I/O Interface	Description / Order Number	Typical Data Rate / Line Voltage	*Typical Shielding
	DB25, 1000pF pi Filter / 3409-0009-1	3 Mbps / 100 VDC, 5 Amps max	>70 dB from 0.5 to 2 GHz >80 dB from 2 to 3 GHz >70 dB from 3 to 6 GHz
	DB25, 100pF pi Filter / 3409-0014-1	10 Mbps / 100 VDC, 5 Amps max	>50 dB from 0.5 to 2 GHz >60 dB from 2 to 3 GHz >60 dB from 3 to 6 GHz
	DB9, 1000pF pi Filter / 3409-0008-1	3 Mbps / 100 VDC, 5 Amps max	>70 dB from 0.5 to 2 GHz >80 dB from 2 to 3 GHz >70 dB from 3 to 6 GHz
	DB9, 100pF pi Filter / 3409-0010-1	10 Mbps / 100 VDC, 5 Amps max	>50 dB from 0.5 to 2 GHz >60 dB from 2 to 3 GHz >60 dB from 3 to 6 GHz
	USB 2.0 Filter / 3409-0018A-3	480 Mbps / 5 V, 500 mA / Max Current: 5 A	>60 dB from 0.5 to 2 GHz >70 dB from 2 to 3 GHz >70 dB from 3 to 6 GHz
	USB 3.0 Filter(Active) / 3409-0042A-1	5000 Mbps/ 5 V, 900 mA / Max Current: 1.5 A	>70 dB from 0.5 to 2 GHz >70 dB from 2 to 3 GHz >55 dB from 3 to 6 GHz
	RJ-45 Filter / 3409-0022A	1 Gbit/s Copper-Line Ethernet (1000 BASE-T)	>60 dB from 0.5 to 2 GHz >70 dB from 2 to 3 GHz >70 dB from 3 to 6 GHz
	DC Power Adaptor / 3406-0004A	50 VDC, 3 Amps max	>70 dB from 0.5 to 2 GHz >80 dB from 2 to 3 GHz >80 dB from 3 to 6 GHz
	DC Power Adaptor (Banana Jack Type) / 3406-0005A, 3406-0006A	50 VDC, 10 Amps max	>70 dB from 0.5 to 2 GHz >80 dB from 2 to 3 GHz >80 dB from 3 to 6 GHz
	AC Power Adaptor / 3103-0009A	250 VAC, 7 Amps max	>70 dB from 0.5 to 2 GHz >80 dB from 2 to 3 GHz >80 dB from 3 to 6 GHz

I/O Interface	Description / Order Number	Frequency Range / Impedance / V.S.W.R
	RF, N-SMA Connector / 3408-0038	From DC to 6 GHz / 50 Ω / 1.15 max
	RF, SMA-SMA Connector / 3408-0039	From DC to 8 GHz / 50 Ω / 1.15 max

- Each shielding effectiveness is measured when each I/O interface panel, which is shown above, is mounted.
- Above data was measured by Tescom, The Shielding Effectiveness might be different based on the measuring method and condition.
- This data has been measured under the condition that the cables are not connected to each filters. When the cables are connected it can affect the shielding performance.

SPECIFICATIONS SUBJECT TO CHANGE WITHOUT PRIOR NOTICE