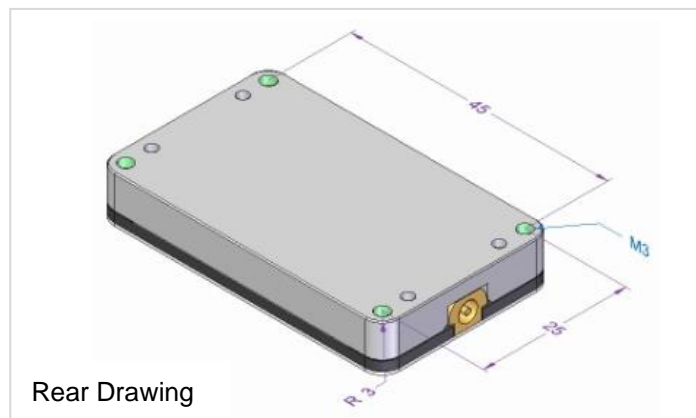
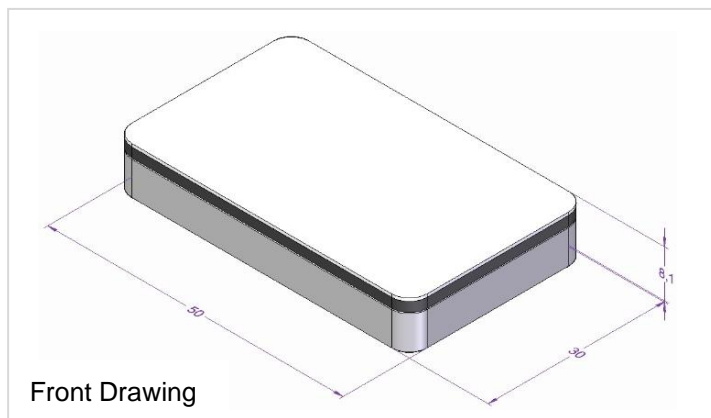
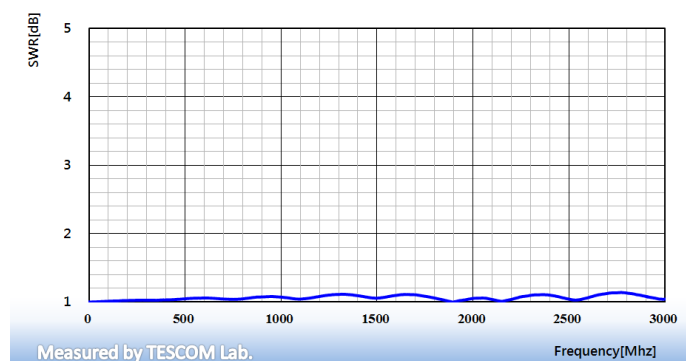


TC-93023B Flat Type Antenna Coupler



Specification

Frequency Range	700 ~ 3000 MHz
RF Connector	MCX(f)
Dimension	50(W) x 30(D) x 8.1(H) mm
Weight	40 g
Terminal	50 ohm
VSWR	better than 1 : 1.7



Typical VSWR of TC-93023B

Ordering Information

Order Number	Description
TC-93023B	Flat Type Antenna Coupler (including accessories below) MCX(m) R/A-SMA(m) 40 cm , 4005-0046