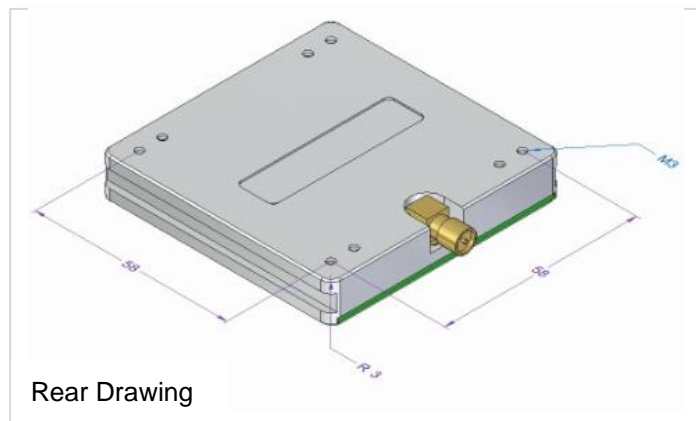
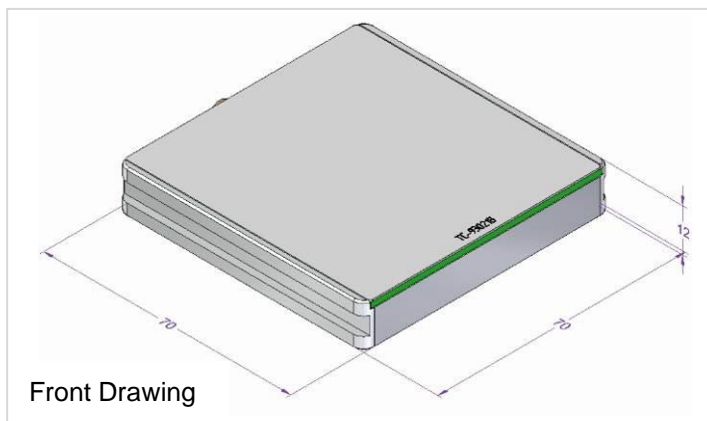
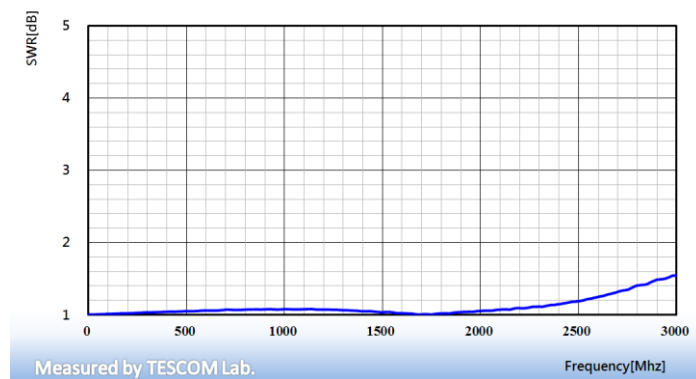


TC-93021B Flat Type Antenna Coupler



Specification

Frequency Range	80 ~ 2650 MHz
RF Connector	SMA(f)
Dimension	70(W) x 70(D) x 12(H) mm
Weight	80 g
Terminal	50 ohm
VSWR	better than 1 : 1.7



Typical VSWR of TC-93021B

Ordering Information

Order Number	Description
TC-93021B	Flat Type Antenna Coupler (including accessories below)
	SMA(m) R/A to SMA(m) cable, 34 cm - 4005-0007