

TC-5952C Pneumatic Shield Box



Features

- High RF shielding
- Pneumatic control of lid open/close and optional test fixture motions
- EMI filters on all data ports and power lines
- Remote operation by RS-232C
- Easily customizable to suit various test needs
- Red and green LEDs for PASS/FAIL indication
- Dual pressure control and lid-close sensor for safety
- Narrower side front
- Provides shield protective cover for safety
- Efficient for mass production with exclusive fixture option, F59421C

Specifications

Mechanical Specifications

Line Voltage	100-240 VAC, 50/60Hz, 15watt max.
Remote Control	RS-232C, 3 wire, DB9(p)
Air Connection	
Main Connector	6 mm OD hose, one-touch push-on fitting
Fixture Control Connector	4 mm OD hose, one-touch push-on fitting
Input Air Pressure	5 to 10 bar
Dimensions	
Inside	287(W) x 150(D) x 97(H) mm
Outside	351(W) x 246(D) x 261(H) mm, lid closed. 410(H) mm, lid open
Weight	Approx. 13 kg
*Packing	
Size	510 (W) x 370(D) x 410(H) mm
Weight	Approx. 15 kg

* The size or weight of a package may vary depending on how the product is packed.

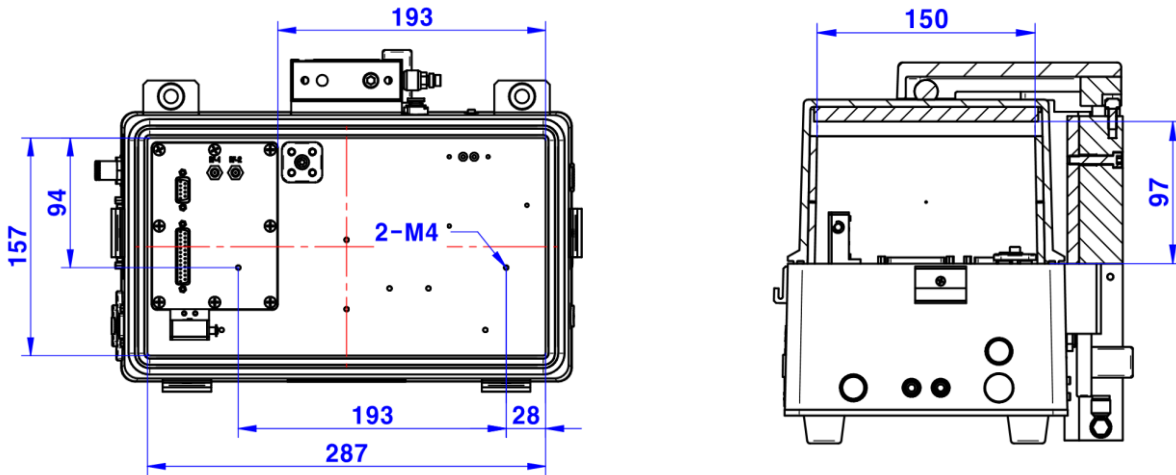
Typical RF Shielding

The shielding effectiveness below is measured with blank panels mounted. Other I/O interface panel may result in different shielding effectiveness.

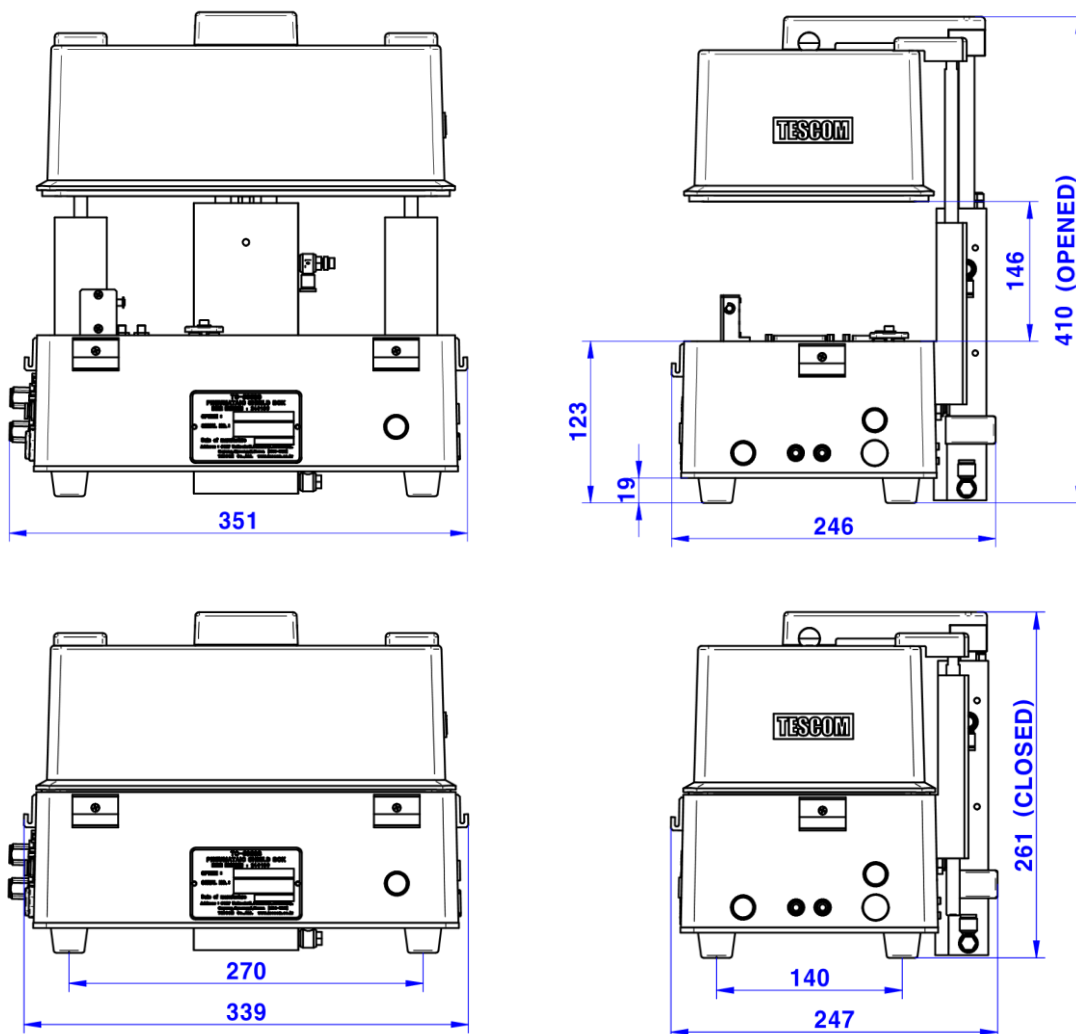
Frequency	Shielding Effectiveness (dB)
100 to 2000 MHz	> 70 dB
2000 to 3000 MHz	> 70 dB
3000 to 6000 MHz	> 60 dB

Dimensions

- TC-5952C Inner Dimensions (WxDxH) : 287(W) x 150(D) x 97(H) mm



- TC-5952C Outer Dimensions (WxDxH) : 351(W) x 246(D) x 261(H) mm, lid closed.



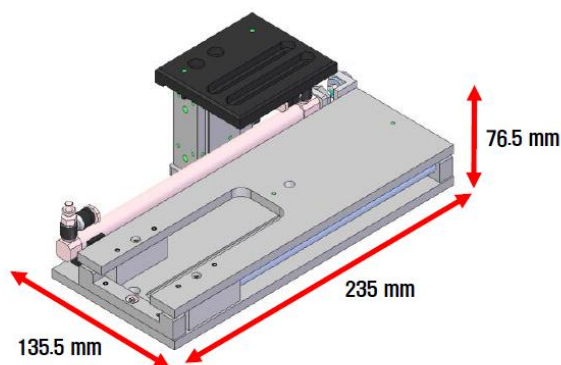
Ordering Information

Order Number	Description
TC-5952C	Pneumatic Shield Box (including accessories below)
	Test Report
	SS-402, N(m) to N(m) cable, 1 m, 1 pc
	DB9(s) to DB9(s) cable, 2 m, 1 pc.
	Power Cable, 220 V, 1 pc
	Hand Valve, 1 pc
	Lid Stopper, 1 pc

Fixture

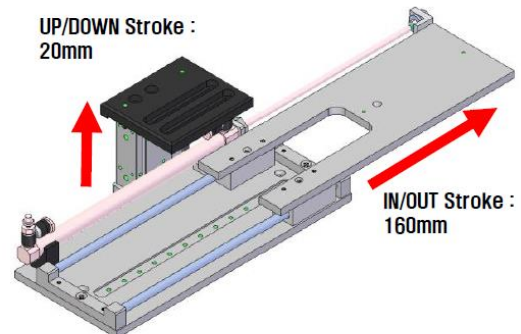
- TESCOM offers F59421C, an exclusive fixture for TC-5952C, that can suffice various testing conditions depending on the DUT.
- F59421C is mainly composed of in/out handler and up/down probe mounting blocks. In addition, it can be customized to suit customer needs once a sample and the information of DUT is given.

Optional Fixture	Description
F59421C	Fixture for TC-5952C



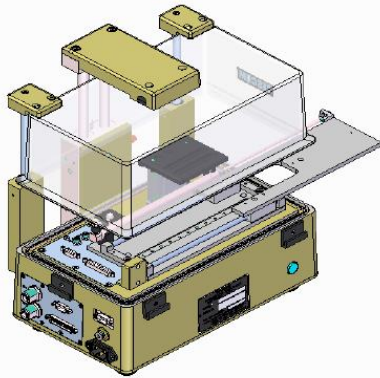
[Fixture Size]
235 (W) x 135.5 (D) x 76.5 (H) mm

[Default]

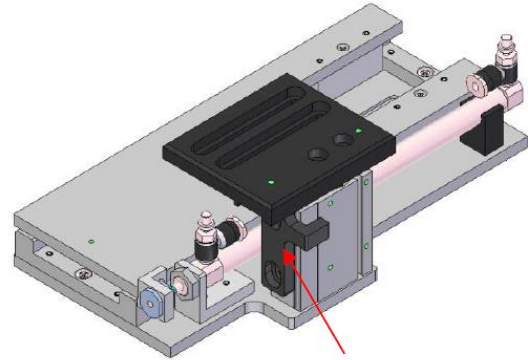


[Stroke]
Up&Down Stroke : 20 mm, IN/OUT Stroke : 160 mm

[Fixture Assembly]



Shield Box & Fixture view







BLOCK, CYLINDER UP/DOWN SENSOR

Custom I/O Interface Panel

- Customized I/O Interface Panel is available by selecting and arranging I/O interfaces below.
Please contact TESCOM sales team or your local distributor.

I/O Interface	Description / Order Number	Typical Data Rate / Line Voltage	*Typical Shielding
	DB25, 1000pF Pi Filter / 3409-0009-1	3 Mbps / 100 VDC, 5 Amps max	>70 dB from 0.5 to 2 GHz >80 dB from 2 to 3 GHz >70 dB from 3 to 6 GHz
	DB25, 100pF Pi Filter / 3409-0014-1	10 Mbps / 100 VDC, 5 Amps max	>50 dB from 0.5 to 2 GHz >60 dB from 2 to 3 GHz >60 dB from 3 to 6 GHz
	DB9, 1000pF Pi Filter / 3409-0008-1	3 Mbps / 100 VDC, 5 Amps max	>70 dB from 0.5 to 2 GHz >80 dB from 2 to 3 GHz >70 dB from 3 to 6 GHz
	DB9, 100pF Pi Filter / 3409-0010-1	10 Mbps / 100 VDC, 5 Amps max	>50 dB from 0.5 to 2 GHz >60 dB from 2 to 3 GHz >60 dB from 3 to 6 GHz
	USB 2.0 Filter / 3409-0018A-3	480 Mbps / 5 V, 500 mA / Max Current: 5 A	>60 dB from 0.5 to 2 GHz >70 dB from 2 to 3 GHz >70 dB from 3 to 6 GHz
	USB3.1 Gen1 Filter (Active)/ 3409-0042A-2	5000 Mbps/ 5 V, 600 mA / Max Current: 1.5 A	>80 dB from 0.5 to 2 GHz >80 dB from 2 to 3 GHz >75 dB from 3 to 6 GHz
	RJ-45 Filter / 3409-0022A	1 Gbit/s Copper-Line Ethernet (1000 BASE-T)	>60 dB from 0.5 to 2 GHz >70 dB from 2 to 3 GHz >70 dB from 3 to 6 GHz
	DC Power Adaptor / 3406-0004A	50 VDC, 3 Amps max	>70 dB from 0.5 to 2 GHz >80 dB from 2 to 3 GHz >80 dB from 3 to 6 GHz

	DC Power Adaptor (Banana Jack Type) / 3406-0005A, 3406-0006A	50 VDC, 10 Amps max	>70 dB from 0.5 to 2 GHz >80 dB from 2 to 3 GHz >80 dB from 3 to 6 GHz
	AC Power Adaptor / 3103-0009A	250 VAC, 7 Amps max	>70 dB from 0.5 to 2 GHz >80 dB from 2 to 3 GHz >80 dB from 3 to 6 GHz

I/O Interface	Description / Order Number	Frequency Range / Impedance / V.S.W.R
	RF, N-SMA Connector / 3408-0038	From DC to 6 GHz / 50 Ω / 1.15 max
	RF, SMA-SMA Connector / 3408-0039	From DC to 8 GHz / 50 Ω / 1.15 max

- ***Typical Shielding** is an estimated value with I/O interface applied.
- The data above were measured by TESCOM standards, and they may be different depending on the measuring method and environment.
- Each shielding effectiveness is measured without any cable, so it will be likely affected when a cable is connected. Also, it may vary depending on the type of cable.

SPECIFICATIONS SUBJECT TO CHANGE WITHOUT PRIOR NOTICE