

TC-5932A Shield Box



Features

- High RF shielding
- Easy open/close
- EMI filters on all data ports and power lines
- Customizable I/O interface panels
- TC-5932A Rack Mount Set: TC-5932A 1 EA + 19" Rack Mounting Bracket

Specifications

Mechanical Specifications

[TC-5932A]

Dimensions

Inside	369(W) x 313(D) x 240(H) mm
Outside	416(W) x 400(D) x 293(H) mm
Door	361(W) x 258(H) mm

Weight	Approx. 14 kg
---------------	---------------

*Packing

Size	680(W) x 640(D) x 440(H) mm
Weight	Approx. 20 kg

[TC-5932A Rack Mount Set(19" Rack)]

Dimensions

Inside	369(W) x 313(D) x 240(H) mm
Outside	483(W) x 488(D) x 310(H) mm
Door	361(W) x 238(H) mm

Weight	Approx. 21 kg
---------------	---------------

*Packing

Size	680(W) x 640(D) x 440(H) mm
Weight	Approx. 27 kg

* The size or weight of a package may vary depending on how the product is packed.

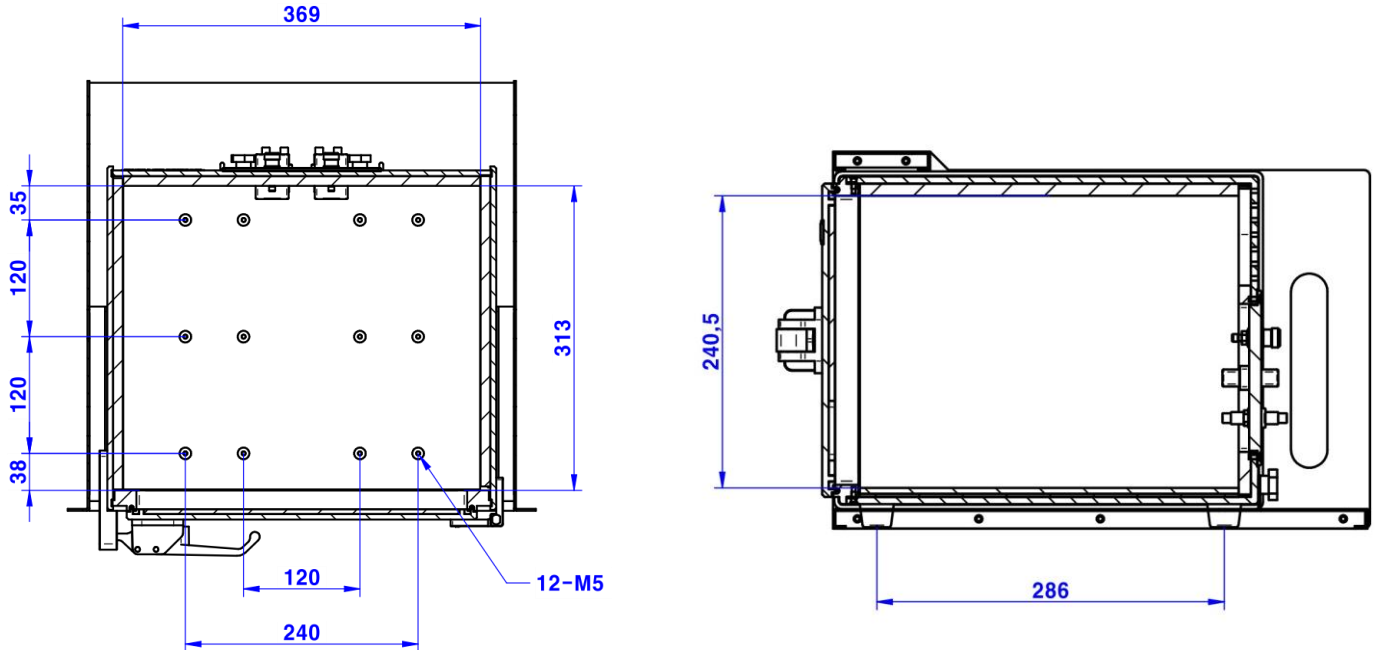
Typical RF Shielding

The shielding effectiveness below is measured with blank panels mounted. Other I/O interface panel may result in different shielding effectiveness.

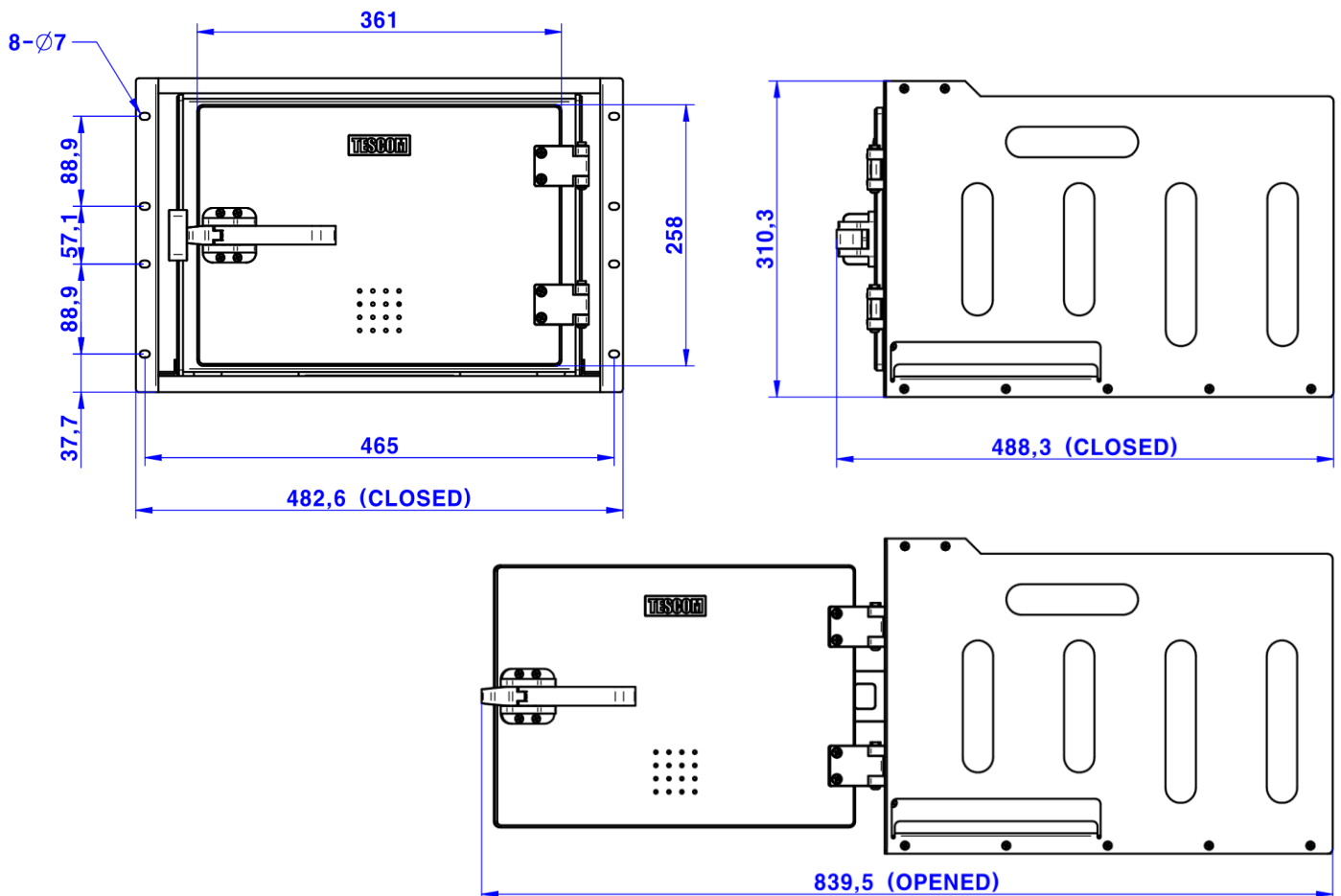
Frequency	Shielding Effectiveness (dB)
100 to 2000 MHz	> 70 dB
2000 to 3000 MHz	> 70 dB
3000 to 6000 MHz	> 60 dB

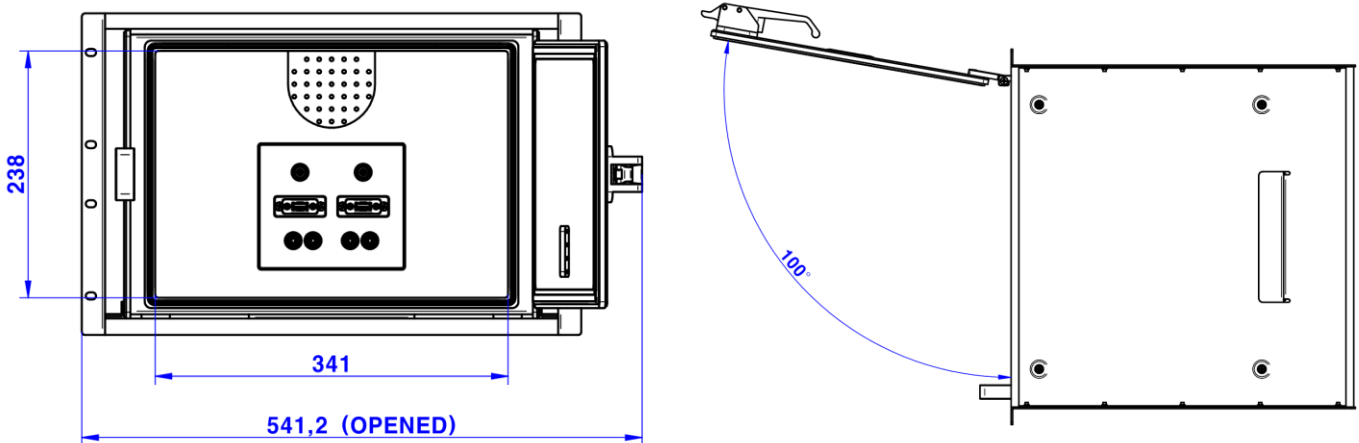
Dimensions

- TC-5932A Inner Dimensions (WxDxH) : 369(W) x 313(D) x 240(H) mm



- TC-5932A Outer Dimensions (WxDxH) : 416(W) x 400(D) x 293(H) mm
- TC-5932A Rack Mount Set Outer Dimensions : 483(W) x 488(W) x 310(H) mm





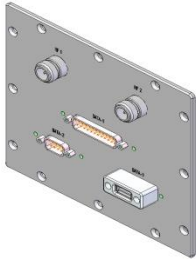
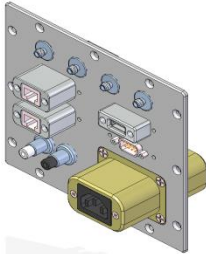

Ordering Information

Order Number	Description
TC-5932A	Shield Box (including accessories below)
	Test Report
	RF Cable, SS-402, N(m) to N(m) 1 m, 1 pc
TC-5932A Rack Mount Set (19" Rack)	Shield Box (TC-5932A 1 EA, 19" Rack Mount Set, including accessories below)
	Test Report
	RF Cable, SS-402, N(m) to N(m) 1 m, 1 pc

'TC-5932A Rack Mount Set' Rack Mounted



Pre-Configured I/O Interface Panel

I/O Interface Panel	Order Number	Configuration
	M5930A01A	<ul style="list-style-type: none"> • Two(2) N(f) outside and SMA(f) inside • One(1) DB25(p) outside and DB25(s) inside, 1000 pF pi filter • One(1) DB9(p) outside and DB9(s) inside, 1000 pF pi filter • One(1) USB 2.0 outside and inside
Data Interface Panel 	M5930A04A	<ul style="list-style-type: none"> • Four(4) SMA(f) outside and SMA(f) inside • One(1) DB9(p) outside and DB9(s) inside, 1000 pF pi filter • One(1) USB 2.0 outside and inside • One(1) Banana Jack type DC power adapter • Two(2) RJ-45 outside and inside • One(1) AC power Adapter
Data Interface Panel 	C5930A-2032A	<ul style="list-style-type: none"> • One(1) DC Fan, DC 24 V (exhaust)
Cooling Fan		

Cooling Fan Assembly Position (e.g. TC-5930AR)





[TC-5930AR Rear]

Custom I/O Interface Panel

- Customized I/O interface panel is available by selecting and arranging I/O interfaces below.
Please contact TESCOM sales team or your local distributor.

I/O Interface	Description / Order Number	Typical Data Rate / Line Voltage	*Typical Shielding
	DB25, 1000pF Pi Filter / 3409-0009-1	3 Mbps / 100 VDC, 5 Amps max	>70 dB from 0.5 to 2 GHz >80 dB from 2 to 3 GHz >70 dB from 3 to 6 GHz
	DB25, 100pF Pi Filter / 3409-0014-1	10 Mbps / 100 VDC, 5 Amps max	>50 dB from 0.5 to 2 GHz >60 dB from 2 to 3 GHz >60 dB from 3 to 6 GHz
	DB9, 1000pF Pi Filter / 3409-0008-1	3 Mbps / 100 VDC, 5 Amps max	>70 dB from 0.5 to 2 GHz >80 dB from 2 to 3 GHz >70 dB from 3 to 6 GHz
	DB9, 100pF Pi Filter / 3409-0010-1	10 Mbps / 100 VDC, 5 Amps max	>50 dB from 0.5 to 2 GHz >60 dB from 2 to 3 GHz >60 dB from 3 to 6 GHz
	USB 2.0 Filter / 3409-0018A-3	480 Mbps / 5 V, 500 mA / Max Current: 5 A	>60 dB from 0.5 to 2 GHz >70 dB from 2 to 3 GHz >70 dB from 3 to 6 GHz
	USB3.1 Gen 1 Filter (Active)/ 3409-0042A-2	5000 Mbps/ 5 V, 600 mA / Max Current: 1.5 A	>80 dB from 0.5 to 2 GHz >80 dB from 2 to 3 GHz >75 dB from 3 to 6 GHz
	RJ-45 Filter / 3409-0022A	1 Gbit/s Copper-Line Ethernet (1000 BASE-T)	>60 dB from 0.5 to 2 GHz >70 dB from 2 to 3 GHz >70 dB from 3 to 6 GHz
	DC Power Adaptor / 3406-0004A	50 VDC, 3 Amps max	>70 dB from 0.5 to 2 GHz >80 dB from 2 to 3 GHz >80 dB from 3 to 6 GHz
	DC Power Adaptor (Banana Jack Type) / 3406-0005A, 3406-0006A	50 VDC, 10 Amps max	>70 dB from 0.5 to 2 GHz >80 dB from 2 to 3 GHz >80 dB from 3 to 6 GHz
	AC Power Adaptor / 3103-0009A	250 VAC, 7 Amps max	>70 dB from 0.5 to 2 GHz >80 dB from 2 to 3 GHz >80 dB from 3 to 6 GHz

I/O Interface	Description / Order Number	Frequency Range / Impedance / V.S.W.R
	RF, N-SMA Connector / 3408-0038	From DC to 6 GHz / 50 Ω / 1.15 max
	RF, SMA-SMA Connector / 3408-0039	From DC to 8 GHz / 50 Ω / 1.15 max

- ***Typical Shielding** is an estimated value with I/O interface applied.
- The data above were measured by TESCOM standards, and they may be different depending on the measuring method and environment.
- Each shielding effectiveness is measured without any cable, so it will be likely affected when a cable is connected. Also, it may vary depending on the type of cable.

SPECIFICATIONS SUBJECT TO CHANGE WITHOUT PRIOR NOTICE