

# TC-5930A/AR Shield Box



## Features

- Reliable RF-shielding
- Easy open/close
- EMI filters on all data ports and power lines
- Customizable I/O interface panels
- 19" Rack Mount Set (TC-5930AR): TC-5930A 2 EA, 19" Rack Mounting Bracket

## Specifications

### Mechanical Specifications

#### [TC-5930A]

##### Dimensions

Inside	170(W) x 312(D) x 240(H) mm
Outside	217(W) x 396(D) x 282(H) mm
Door	163(W) x 238(H) mm

<b>Weight</b>	Approx. 9 kg
---------------	--------------

##### \*Packing

Size	370(W) x 510(D) x 400(H) mm
Weight	Approx. 11 kg

#### [TC-5930AR]

##### Dimensions

Inside	170(W) x 312(D) x 240(H) mm
Outside	483(W) x 488(D) x 310(H) mm
Door	163(W) x 238(H) mm

<b>Weight</b>	Approx. 24 kg
---------------	---------------

##### \*Packing

Size	640(W) x 690(D) x 440(H) mm
Weight	Approx. 31 kg

\* The size or weight of a package may vary depending on how the product is packed.

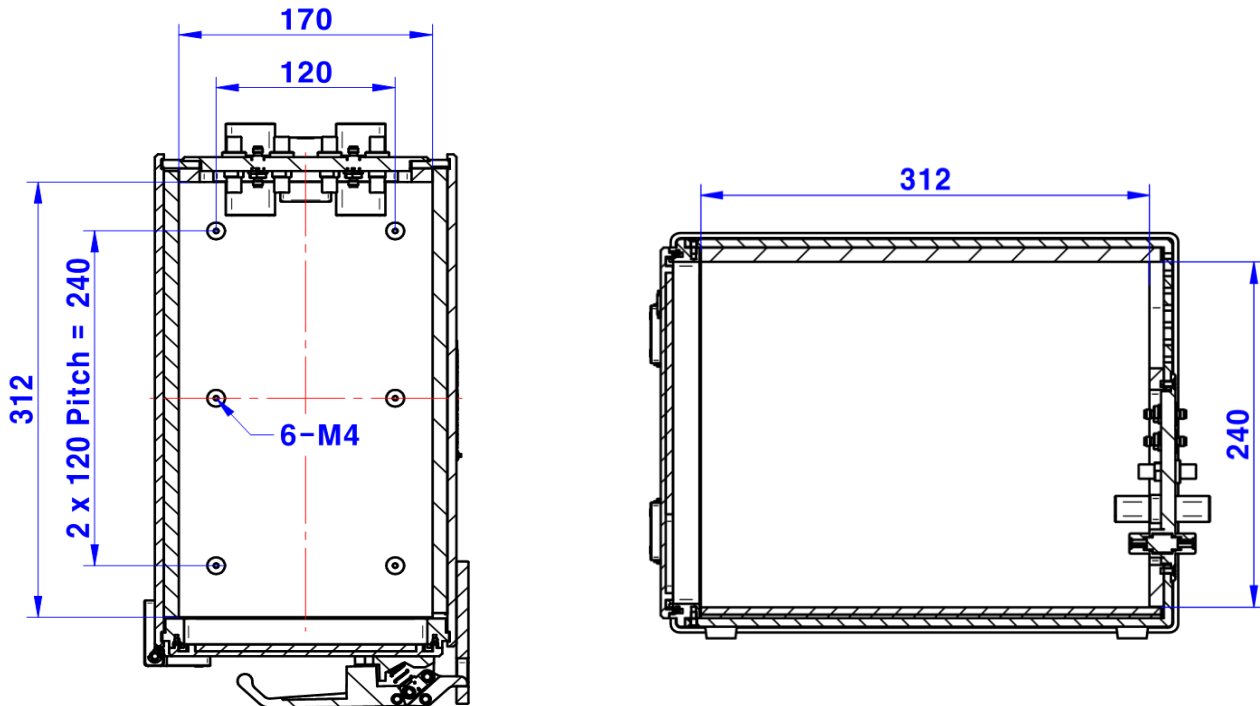
### Typical RF Shielding

The shielding effectiveness below is measured with blank panels mounted. Other I/O interface panel may result in different shielding effectiveness.

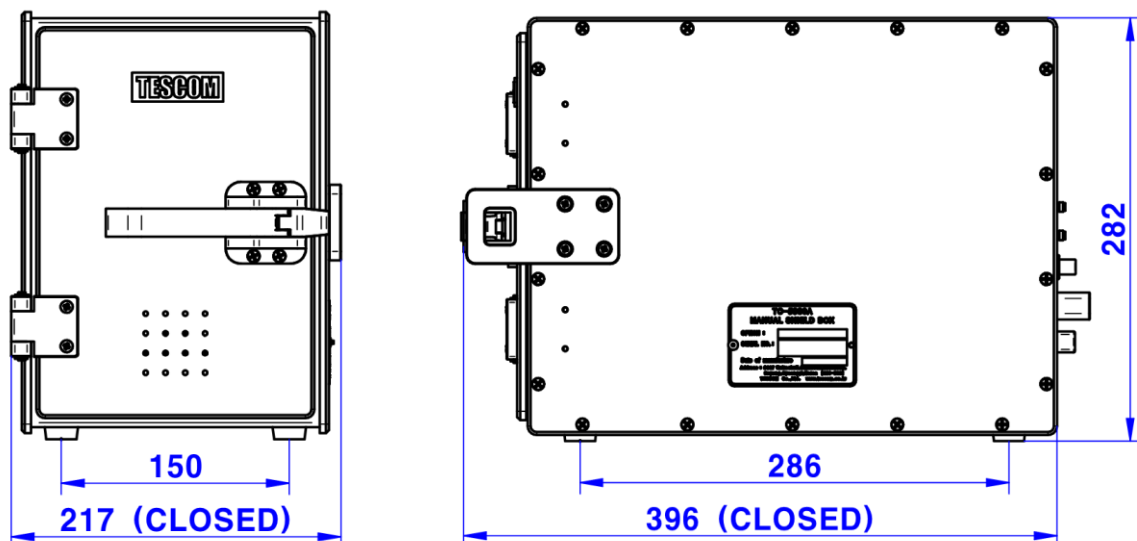
Frequency	Shielding Effectiveness (dB)
100 to 2000 MHz	> 80 dB
2000 to 3000 MHz	> 70 dB
3000 to 6000 MHz	> 60 dB

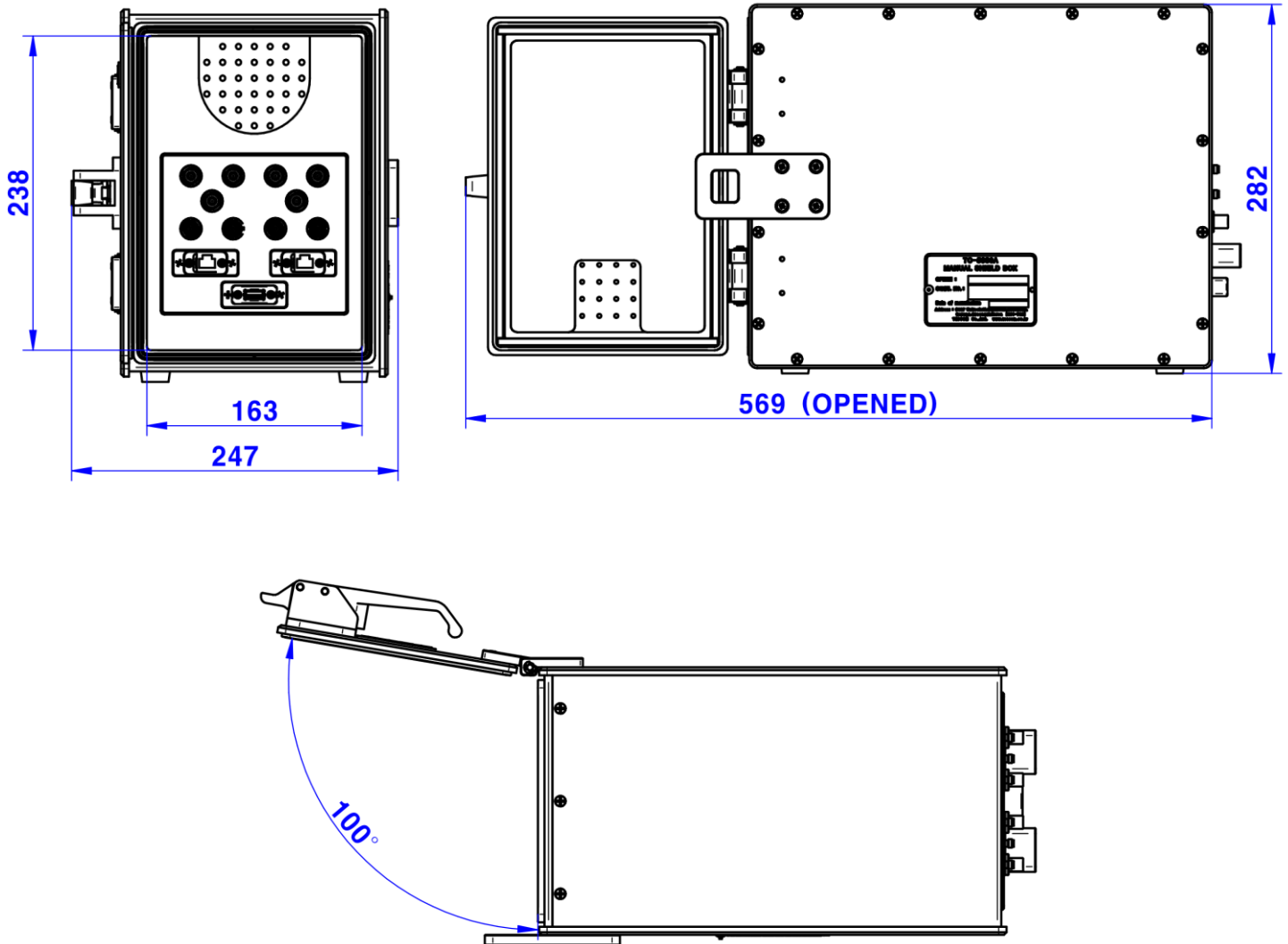
## Dimensions

- TC-5930A Inner Dimensions (WxDxH) : 170(W) x 312(D) x 240(H) mm



- TC-5930A Outer Dimensions (WxDxH) : 217(W) x 396(D) x 282(H) mm

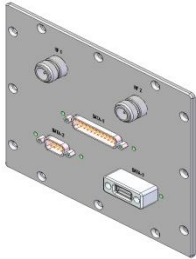
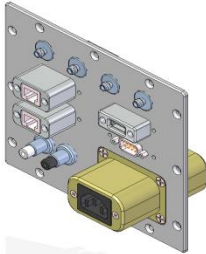





## Ordering Information

Order Number	Description
TC-5930A	<b>Shield Box (including accessories below)</b>
	Test Report RF Cable, SS-402, N(m) to N(m) 1 m, 1 pc
TC-5930AR	<b>Shield Box (TC-5930A 2 EA, 19" Rack Mount Set, including accessories below)</b>
	Test Report RF Cable, SS-402, N(m) to N(m) 1 m, 2 pc

## Pre-Configured Panels

I/O Interface Panel	Order Number	Configuration
	M5930A01A	<ul style="list-style-type: none"> <li>• Two(2) N(f) outside and SMA(f) inside</li> <li>• One(1) DB25(p) outside and DB25(s) inside, 1000 pF pi filter</li> <li>• One(1) DB9(p) outside and DB9(s) inside, 1000 pF pi filter</li> <li>• One(1) USB 2.0 outside and inside</li> </ul>
<b>Data Interface Panel</b> 	M5930A04A	<ul style="list-style-type: none"> <li>• Four(4) SMA(f) outside and SMA(f) inside</li> <li>• One(1) DB9(p) outside and DB9(s) inside, 1000 pF pi filter</li> <li>• One(1) USB 2.0 outside and inside</li> <li>• One(1) Banana Jack type DC power adapter</li> <li>• Two(2) RJ-45 outside and inside</li> <li>• One(1) AC power Adapter</li> </ul>
<b>Data Interface Panel</b> 	C5930A-2032A	<ul style="list-style-type: none"> <li>• One(1) DC Fan, DC 24 V (exhaust)</li> </ul>
<b>Cooling Fan</b>		

### Cooling Fan assembly position (e.g. TC-5930AR)





[ TC-5930AR Rear ]

## Custom I/O Interface Panels

- Customized I/O interface panel is available by selecting and arranging I/O interfaces below.  
Please contact TESCOM sales team or your local distributor.

I/O Interface	Description / Order Number	Typical Data Rate / Line Voltage	*Typical Shielding
	DB25, 1000pF Pi Filter / 3409-0009-1	3 Mbps / 100 VDC, 5 Amps max	>70 dB from 0.5 to 2 GHz >80 dB from 2 to 3 GHz >70 dB from 3 to 6 GHz
	DB25, 100pF Pi Filter / 3409-0014-1	10 Mbps / 100 VDC, 5 Amps max	>50 dB from 0.5 to 2 GHz >60 dB from 2 to 3 GHz >60 dB from 3 to 6 GHz
	DB9, 1000pF Pi Filter / 3409-0008-1	3 Mbps / 100 VDC, 5 Amps max	>70 dB from 0.5 to 2 GHz >80 dB from 2 to 3 GHz >70 dB from 3 to 6 GHz
	DB9, 100pF Pi Filter / 3409-0010-1	10 Mbps / 100 VDC, 5 Amps max	>50 dB from 0.5 to 2 GHz >60 dB from 2 to 3 GHz >60 dB from 3 to 6 GHz
	USB 2.0 Filter / 3409-0018A-3	480 Mbps / 5 V, 500 mA / Max Current: 5 A	>60 dB from 0.5 to 2 GHz >70 dB from 2 to 3 GHz >70 dB from 3 to 6 GHz
	USB3.1 Gen1 Filter (Active)/ 3409-0042A-2	5000 Mbps/ 5 V, 600 mA / Max Current: 1.5 A	>80 dB from 0.5 to 2 GHz >80 dB from 2 to 3 GHz >75 dB from 3 to 6 GHz
	RJ-45 Filter / 3409-0022A	1 Gbit/s Copper-Line Ethernet (1000 BASE-T)	>60 dB from 0.5 to 2 GHz >70 dB from 2 to 3 GHz >70 dB from 3 to 6 GHz
	DC Power Adaptor / 3406-0004A	50 VDC, 3 Amps max	>70 dB from 0.5 to 2 GHz >80 dB from 2 to 3 GHz >80 dB from 3 to 6 GHz
	DC Power Adaptor (Banana Jack Type) / 3406-0005A, 3406-0006A	50 VDC, 10 Amps max	>70 dB from 0.5 to 2 GHz >80 dB from 2 to 3 GHz >80 dB from 3 to 6 GHz
	AC Power Adaptor / 3103-0009A	250 VAC, 7 Amps max	>70 dB from 0.5 to 2 GHz >80 dB from 2 to 3 GHz >80 dB from 3 to 6 GHz

I/O Interface	Description / Order Number	Frequency Range / Impedance / V.S.W.R
	RF, N-SMA Connector / 3408-0038	From DC to 6 GHz / 50 Ω / 1.15 max
	RF, SMA-SMA Connector / 3408-0039	From DC to 8 GHz / 50 Ω / 1.15 max

- **\*Typical Shielding** is an estimated value with I/O interface applied.
- The data above were measured by TESCOM standards, and they may be different depending on the measuring method and environment.
- Each shielding effectiveness is measured without any cable, so it will be likely affected when a cable is connected. Also, it may vary depending on the type of cable.

SPECIFICATIONS SUBJECT TO CHANGE WITHOUT PRIOR NOTICE